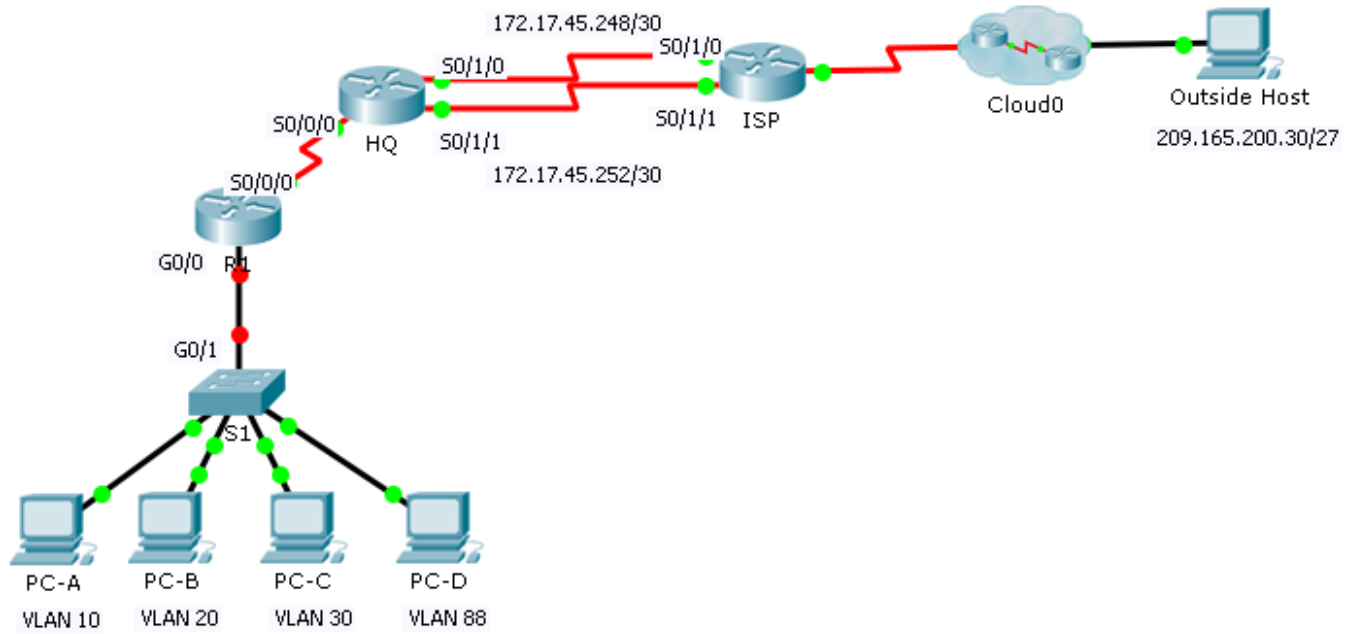


Packet Tracer – Skills Integration Challenge

Topology



Addressing Table

Device	Interface	IP Address	Subnet Mask	Default Gateway	VLAN
R1	S0/0/0	172.31.1.2	255.255.255.0	N/A	N/A
	G0/0.10	172.31.10.1	255.255.255.0	N/A	10
	G0/0.20	172.31.20.1	255.255.255.0	N/A	20
	G0/0.30	172.31.30.1	255.255.255.0	N/A	30
	G0/0.88	172.31.88.1	255.255.255.0	N/A	88
	G0/0.99	172.31.99.1	255.255.255.0	N/A	99
S1	VLAN 88	172.31.88.33	255.255.255.0	172.31.88.1	88
PC-A	NIC	172.31.10.21	255.255.255.0	172.31.10.1	10
PC-B	NIC	172.31.20.22	255.255.255.0	172.31.20.1	20
PC-C	NIC	172.31.30.23	255.255.255.0	172.31.30.1	30
PC-D	NIC	172.31.88.24	255.255.255.0	172.31.88.1	88

VLAN Table

VLAN	Name	Interfaces
10	Sales	F0/11-15
20	Production	F0/16-20
30	Marketing	F0/5-10
88	Management	F0/21-24
99	Native	G0/1

Scenario

In this activity, you will demonstrate and reinforce your ability to configure routers for inter-VLAN communication and configure static routes to reach destinations outside of your network. Among the skills you will demonstrate are configuring inter-VLAN routing, static and default routes.

Requirements

- Configure inter-VLAN routing on **R1** based on the **Addressing Table**.
- Configure trunking on **S1**.
- Configure four directly attached static route on **HQ** to each VLANs 10, 20, 30 and 88.
- Configure directly attached static routes on **HQ** to reach **Outside Host**.
 - Configure the primary path through the Serial 0/1/0 interface.
 - Configure the backup route through the Serial 0/1/1 interface with a 10 AD.
- Configure a directly attached default route on **R1**.
- Verify connectivity by making sure all the PCs can ping **Outside Host**.